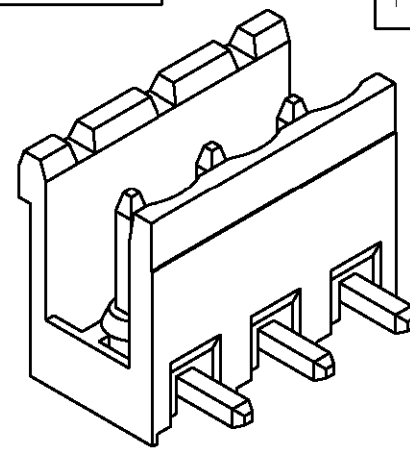
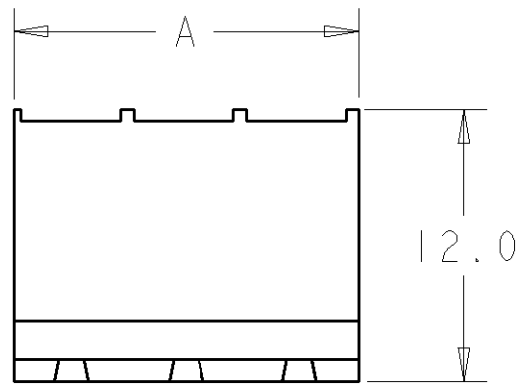


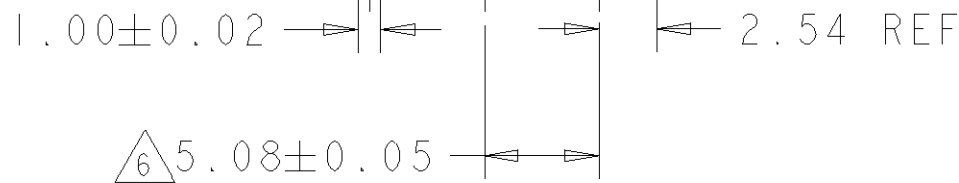
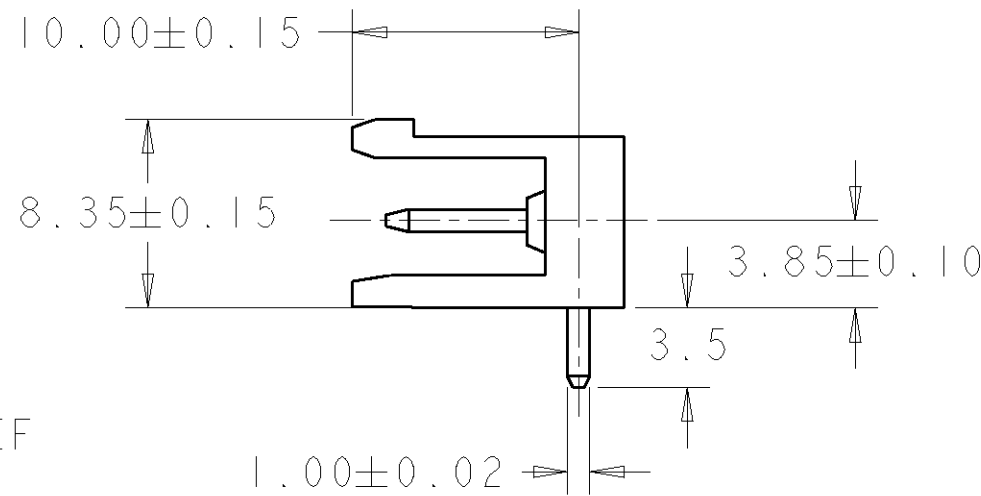
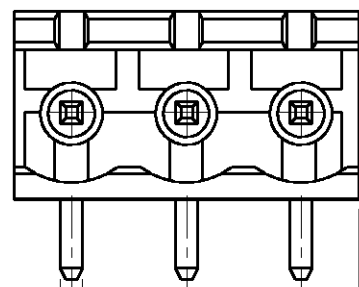
THIS DRAWING IS UNPUBLISHED. RELEASED FOR PUBLICATION 20  
 © COPYRIGHT 20 BY TYCO ELECTRONICS CORPORATION. ALL RIGHTS RESERVED.

LOC FT DIST 0

REVISIONS					
P	LTR	DESCRIPTION	DATE	DWN	APVD
	C	REVISED PER 0G3B-0326-01	25JUL2001	EZ	DB

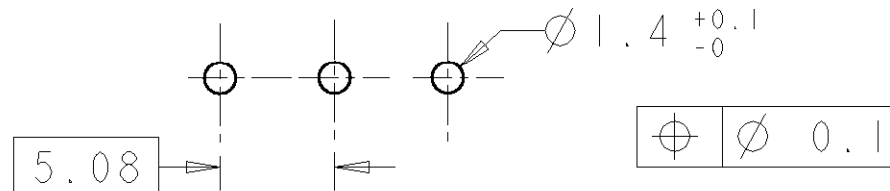


282815-3 AS SHOWN



127.00	25	2-282815-5
121.92	24	2-282815-4
116.84	23	2-282815-3
111.76	22	2-282815-2
106.68	21	2-282815-1
101.60	20	2-282815-0
96.52	19	1-282815-9
91.44	18	1-282815-8
86.36	17	1-282815-7
81.28	16	1-282815-6
76.20	15	1-282815-5
71.12	14	1-282815-4
66.04	13	1-282815-3
60.96	12	1-282815-2
55.88	11	1-282815-1
50.80	10	1-282815-0
45.72	9	282815-9
40.64	8	282815-8
35.56	7	282815-7
30.48	6	282815-6
25.40	5	282815-5
20.32	4	282815-4
15.24	3	282815-3
10.16	2	282815-2
DIM. A	N° OF POS.	PART NUMBER

RECOMMENDED PC BOARD LAYOUT



- 1 MATERIALS AND FINISH  
HOUSING: PA 6-6, UL 94-V0, COLOR GREEN.  
TERMINAL: PHOSPHOR BRONZE, TIN PLATED.
- 2 SUITABLE FOR 1,6-2,4mm PC BOARD THICKNESS.
- 3 END-TO-END STACKABLE WITHOUT LOSS OF CENTERLINE SPACING.
- 4 RECOGNIZED UNDER THE COMPONENT PROGRAM OF UNDERWRITERS LABORATORIES INC. FILE N° E60677.
- 5 IMO CERTIFICATE WITH SURVEILLANCE IN CONFORMITY WITH IEC 998-1/998-2-1.
- 6 NOT CUMULATIVE TOLERANCE.

<small>THIS DRAWING IS A CONTROLLED DOCUMENT FOR TYCO ELECTRONICS CORPORATION. IT IS SUBJECT TO CHANGE AND THE CONTROLLING ENGINEERING ORGANIZATION SHOULD BE CONTACTED FOR THE LATEST REVISION.</small>		DWN 25JUL2001 E. ZANOLINI CHK 25JUL2001 D. BIEVENOUR APVD 25JUL2001 D. BIEVENOUR	<b>BUCHANAN</b> Tyco Electronics Harrisburg, PA 17105-3608
DIMENSIONS: mm	TOLERANCES UNLESS OTHERWISE SPECIFIED: 0 PLC ±.2 1 PLC ±.25 2 PLC ±.25 3 PLC ±. 4 PLC ±. ANGLES ±2	PRODUCT SPEC 108-20166 APPLICATION SPEC 114-20079 WEIGHT -	NAME TERMINAL BLOCK HEADER ASSEMBLY 90° OPEN ENDS, STACKING 5.08mm PITCH
MATERIAL	FINISH	SIZE A3	CAGE CODE 00779
		DRAWING NO C=282815	RESTRICTED TO -
CUSTOMER DRAWING		SCALE 3:1	SHEET 1 OF 1 REV C